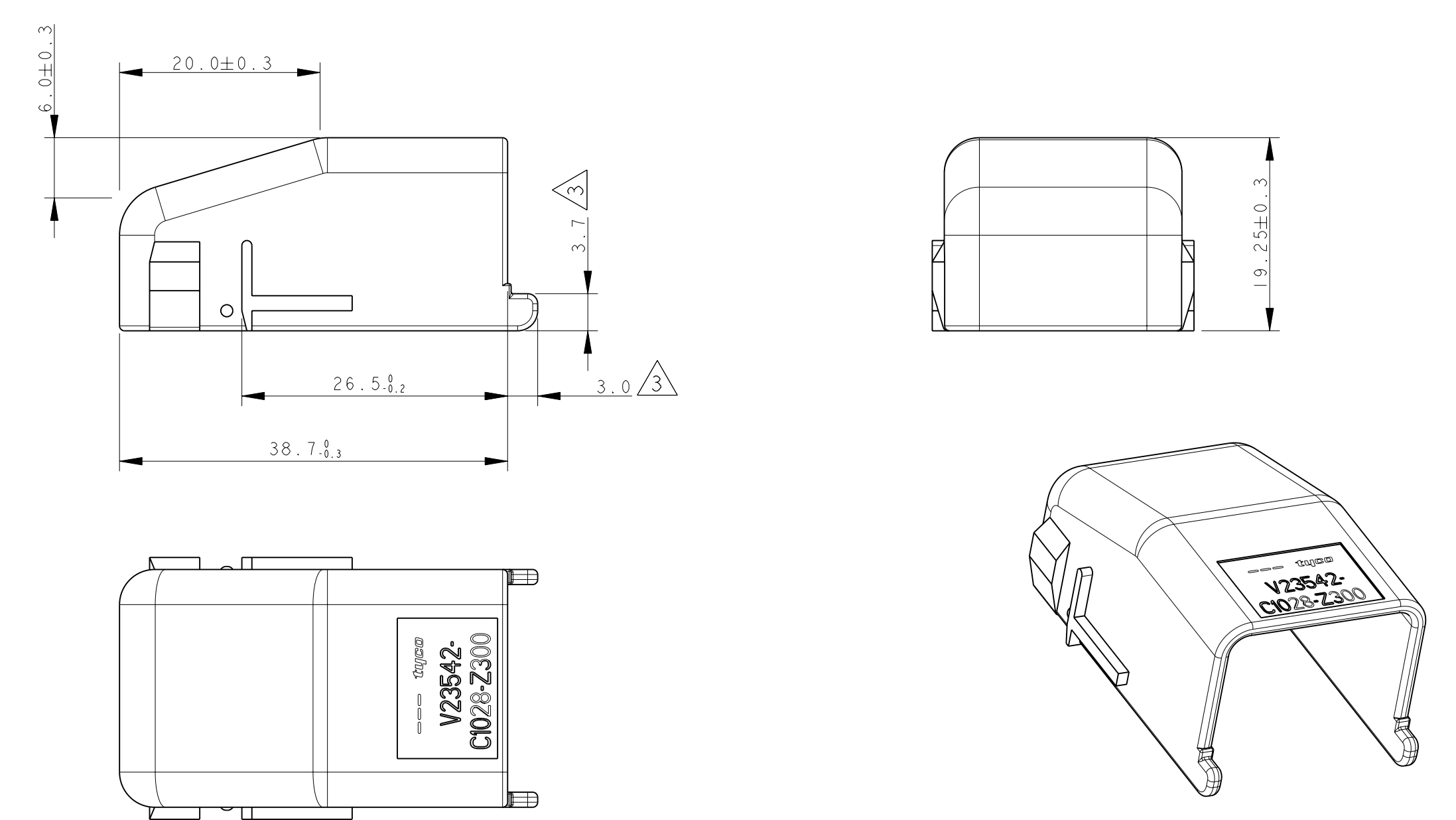


TE CONNECTIVITY ORDER NO. / (TE CONNECTIVITY Bestellnummer)

- SOCKET HOUSING WITHOUT COVER P/N 1393436-4 / (Gehäuse ohne Abdeckkappe)
 (was SIEMENS code V23542-C1028-B300)
- COVER P/N 1393454-5 / (Abdeckkappe)
 (was SIEMENS code V23542-C1028-Z300)

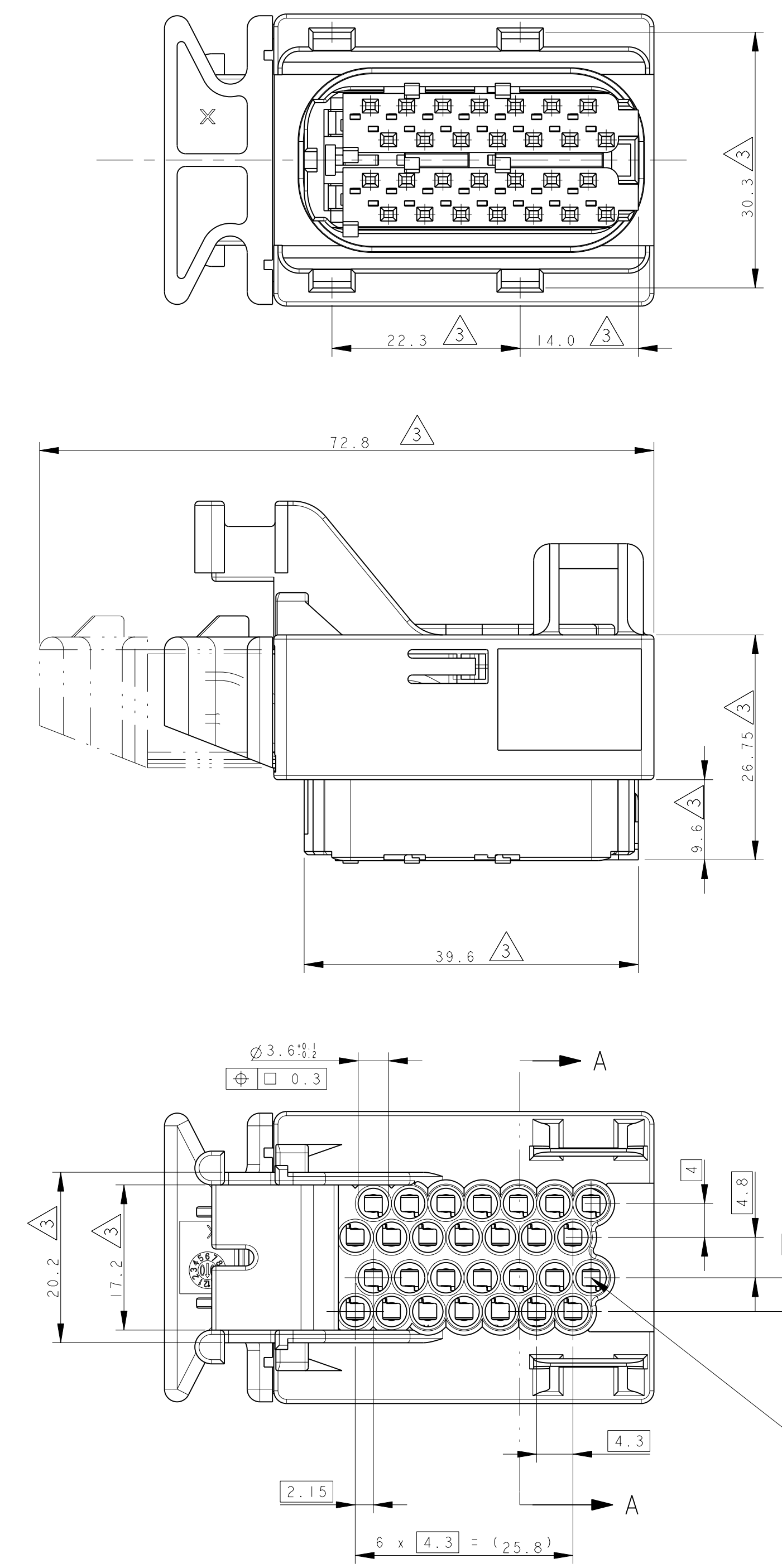
BOTH PARTS NEED TO BE ORDERED / (Teile müssen einzeln bestellt werden)

COVER / (Abdeckkappe)



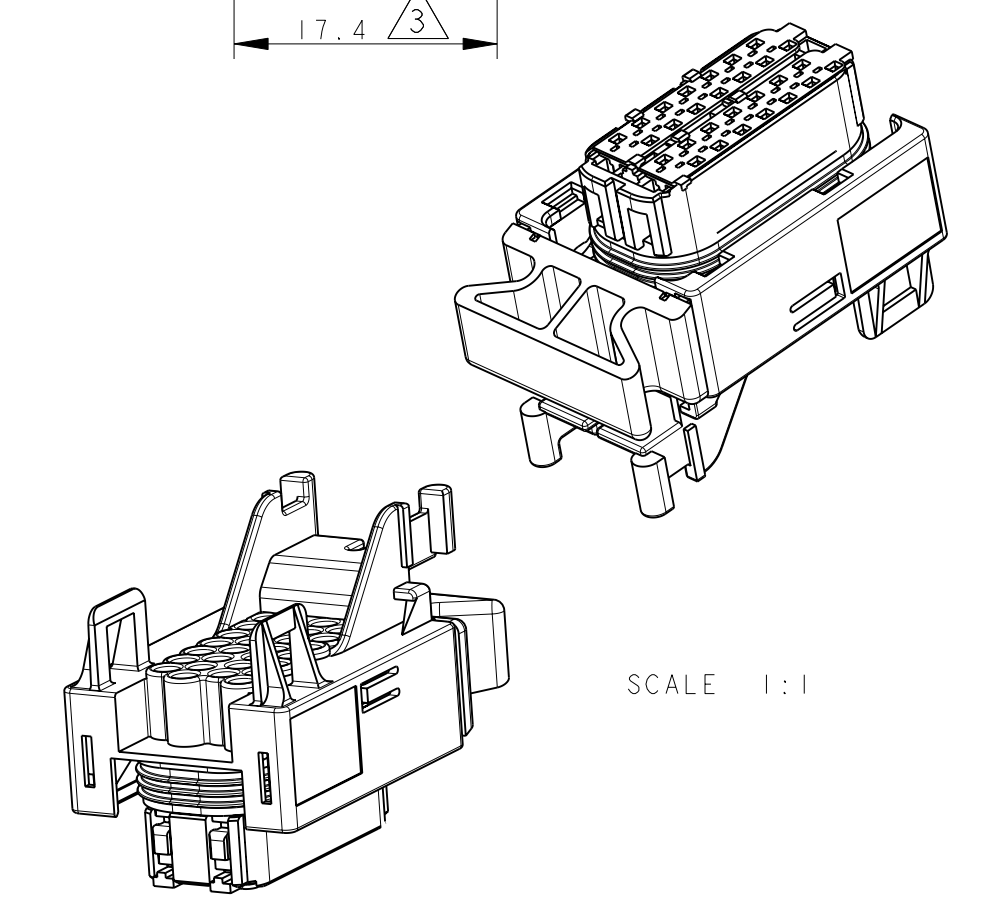
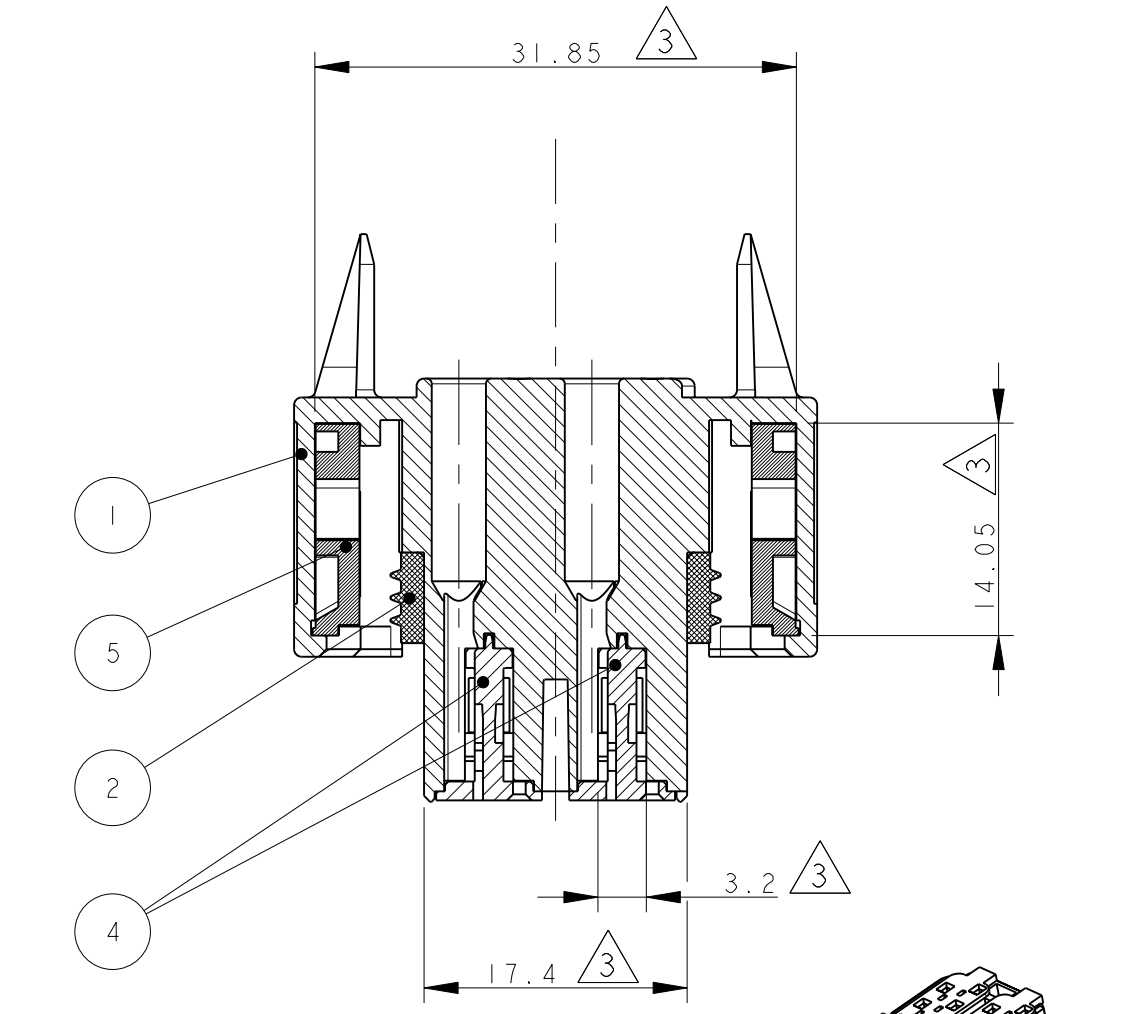
**P/N 1393454-5 AS SHOWN
 (WAS SIEMENS No. V23542-C1028-Z300)**

SOCKET HOUSING / (Gehäuse)



LOC	DIST	REVISIONS			
P	LTB	DESCRIPTION	DATE	OWN	APVD
A1		REVISED PER ECO-11-005033	20APR2011	RK	HMR
A2		REVISED PER ECR-11-017659	13SEP2011	M.G.	M.G.

SECTION A - A



**P/N 1393436-4 AS SHOWN
 (WAS SIEMENS No. V23542-C1028-B300)**

- 1 RECYCLED MATERIAL max. 25% / (Regeneratbeimischung max.25%)
 LIQUID COLOR ALLOWED / (Liquideinfärbung zugelassen)
- 2 SILICONE RUBBER / (Silikonkautschuk)
 RESISTANT TO OZONE AND TO HOT AIR +180°C / (Ozonbeständig, wärmluftbeständig +180°C)
 RESISTANT TO COLD -45°C, OIL PERCENTAGE 2%+1% / (Kältebeständig -45°C, Ölanteil 2%+1%)
- 3 NOMINAL DIMENSION, ONLY FOR INFO: NOT IN INITIAL SAMPLE REPORT /
 (Nominale Mass, nur zu info: kommt nicht in Erstmusterprüfbericht)
- 4) USE TEST ADAPTOR FOR CONTINUING TESTING ACCORDING /
 (Zu verwenden prüfadaptor: siehe V23543-C1028-B300-7424)
- 5) FOR LENGTH TOLERANCES REFER TO DIN 16901-130;
 FOR ANGLES, FORM AND POSITION TOLERANCES REFER TO DIN ISO 2768-mH /
 (Längen: DIN 16901-130: Winkel, Form und Lage: DIN ISO 2768-mH)
- 6) NR. 28 CAVITIES SUITABLE FOR ELO SEAL CONTACTS P/N 4-1411572-1 (0,35mm²) CRIMPED ON
 SINGLE WIRE SEALS P/N 964971-1 (OR, IN ALTERNATIVE, P/N 1393457-2), AND
 P/N 2-1411573-1 (0,5-0,75mm²) CRIMPED ON SINGLE WIRE SEALS P/N 1393457-1 (OR, IN
 ALTERNATIVE, P/N 963530-1).
 CAVITY PLUGS TO CLOSE UNUSED CAVITIES: P/N 1393457-3 (OR, IN ALTERNATIVE, P/N 963531-1)
- 7) CONNECTOR SUITABLE TO MATE WITH HEADER COUNTERPART P/N 8-1393476-0

TE CONNECTIVITY P/N	REV.	DESCRIPTION	WEIGHT [g]
1393436-4	A	SOCKET HOUSING WITHOUT COVER	30.5
1393454-5	A	COVER	4.9

MATERIAL LIST / (Materialliste)

ITEM	Q.TY	DESCRIPTION (Bezeichnung)	MATERIAL (Material)	COLOR (Farbe)
1	1	SOCKET HOUSING / (Grundkörper)	PBT-GF(30±3)%	BLACK / (Schwarz)
2	1	RADIAL SEAL / (Radialdichtung)	VMO	GREEN / (Grün)
3	1	COVER / (Abdeckkappe)	PBT-GF(20±2)%	BLACK / (Schwarz)
4	2	SECONDARY LOCK / (Kontaktsicherung)	PBT-GF(20±2)%	NATURAL / (Natur)
5	1	SLIDE / (Kulissennutschieber)	PBT-GF(30±3)%	BLACK / (Schwarz)

THIS DRAWING IS A CONTROLLED DOCUMENT.

DWG: GHISOLEI_03DEC2003	CHK: R. MARTINI	APVD: -	NAME: 28 POSITIONS ENGINE CONNECTOR ASS'Y
DIMENSIONS: mm		TOLERANCES UNLESS OTHERWISE SPECIFIED: ISO 8015	PRODUCT SPEC: -
MATERIAL FINISH: -		APPLIC. SPEC: -	WEIGHT: -
SEE TABLE		CUSTOMER DRAWING	SCALE: 2:1 SHEET 1 OF 1 REV A2

STE TE Connectivity

SIZE: CAGE CODE: DRAWING NO: A100779C=1393436-4

Mouser Electronics

Authorized Distributor

Click to View Pricing, Inventory, Delivery & Lifecycle Information:

[TE Connectivity:](#)

[1393454-5](#)