

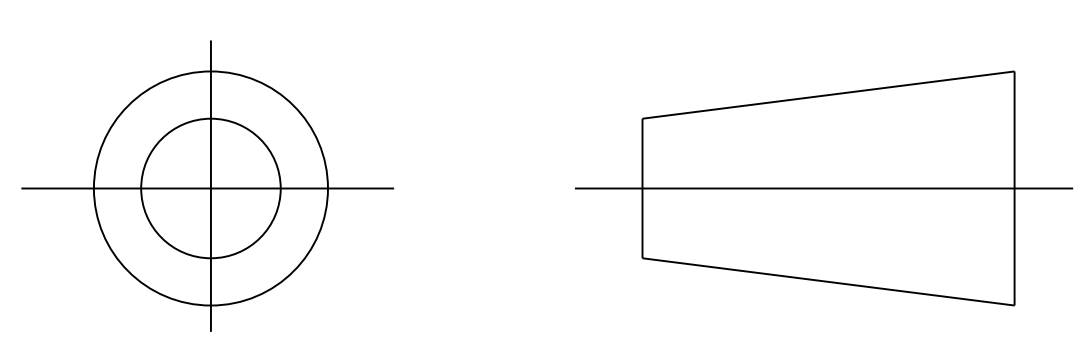
Heatshrinkable Moulded Shapes Bulbous Boots 3-Way Outlet HellermannTyton

DRAWING No.
152038

SHT. 1
OF
1 SHTS.

© THE COPYRIGHT OF THIS DRAWING IS RESERVED BY HELLERMANN TYTON. IT IS ISSUED ON CONDITION THAT IT IS NOT COPIED, REPRODUCED OR DISCLOSED TO A THIRD PARTY EITHER WHOLLY OR IN PART WITHOUT THE CONSENT IN WRITING OF HELLERMANN TYTON.

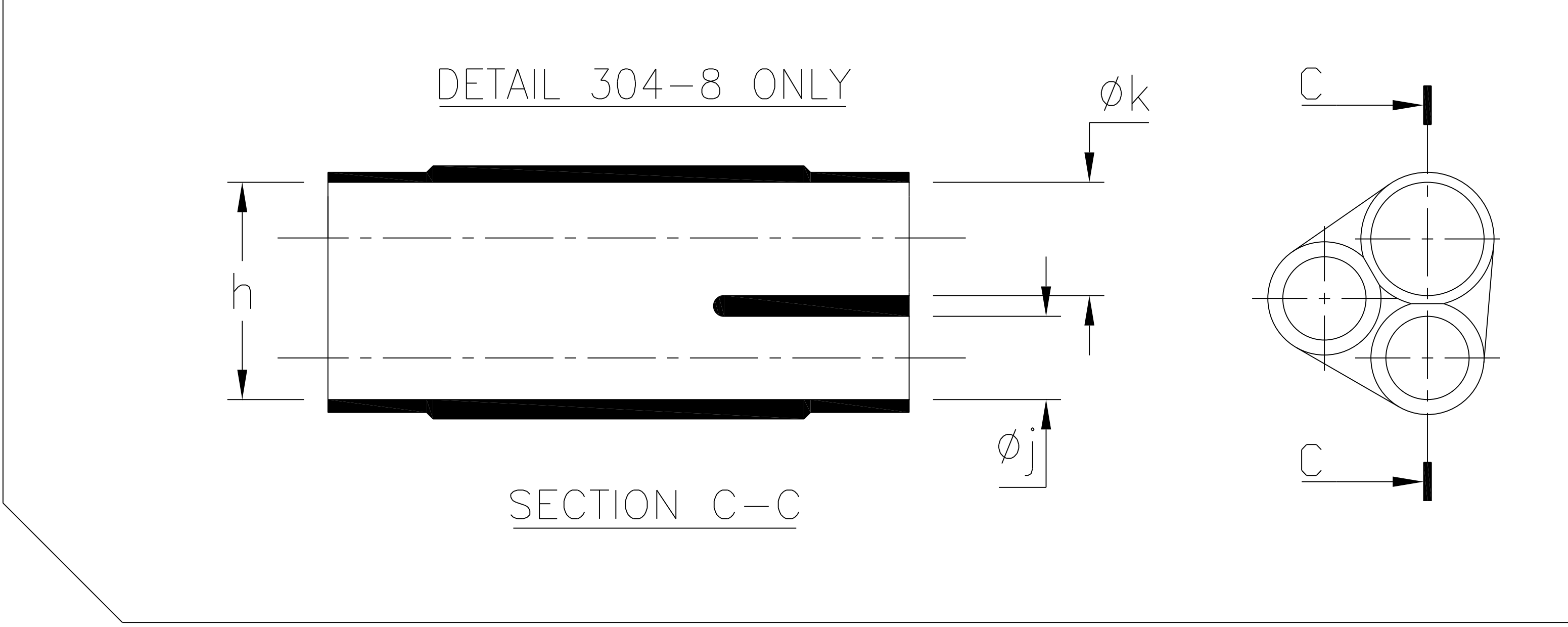
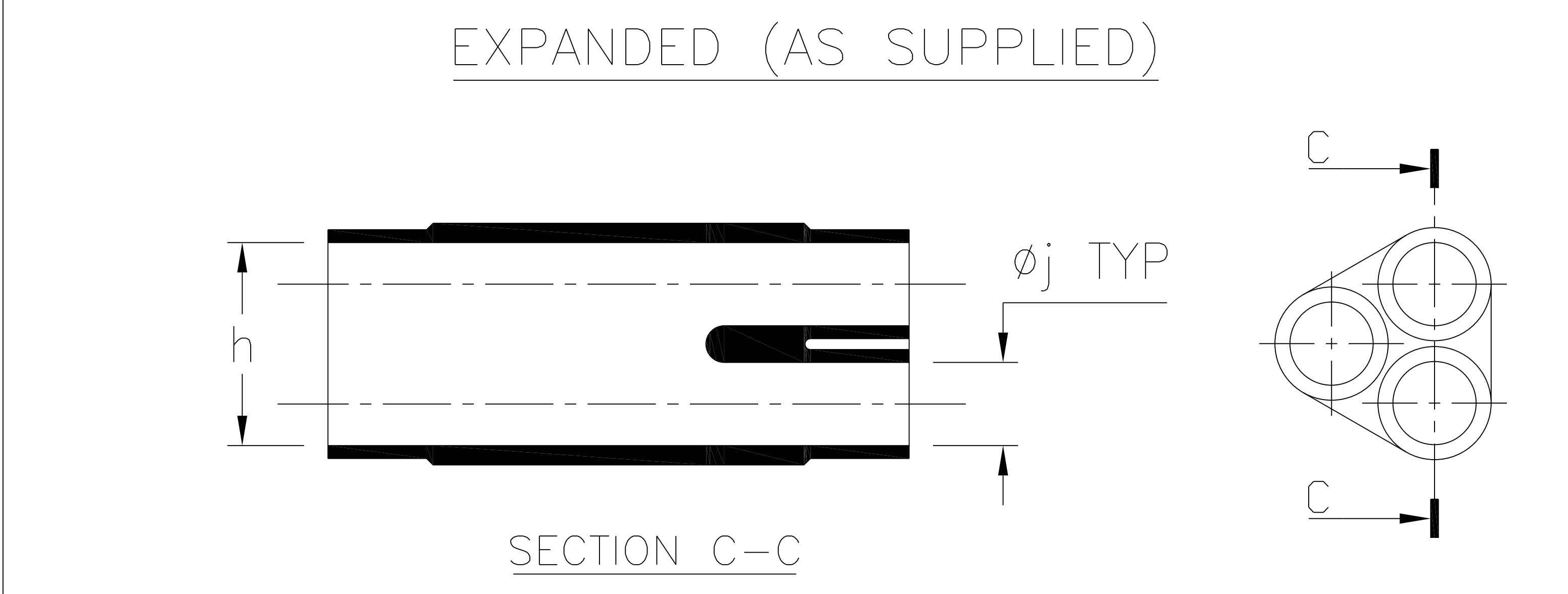
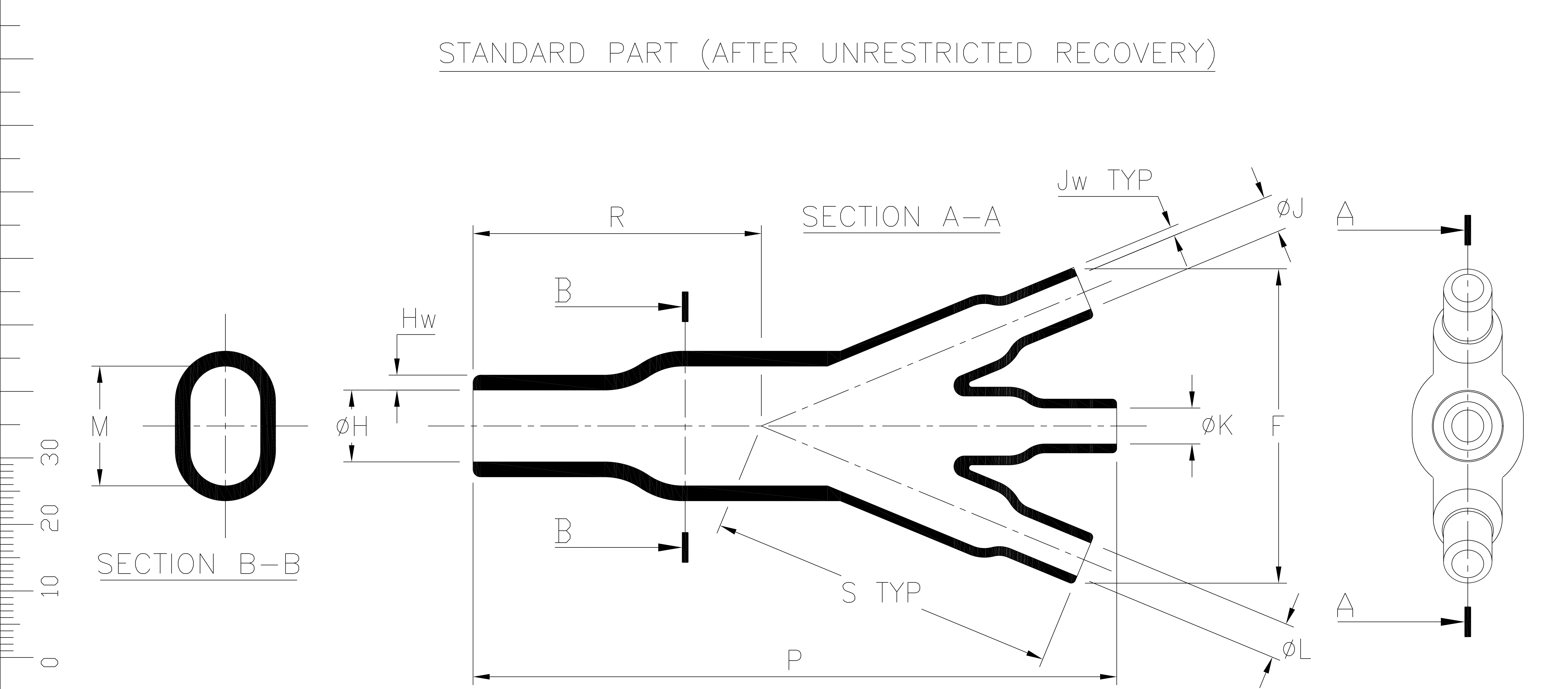
THIRD ANGLE PROJECTION



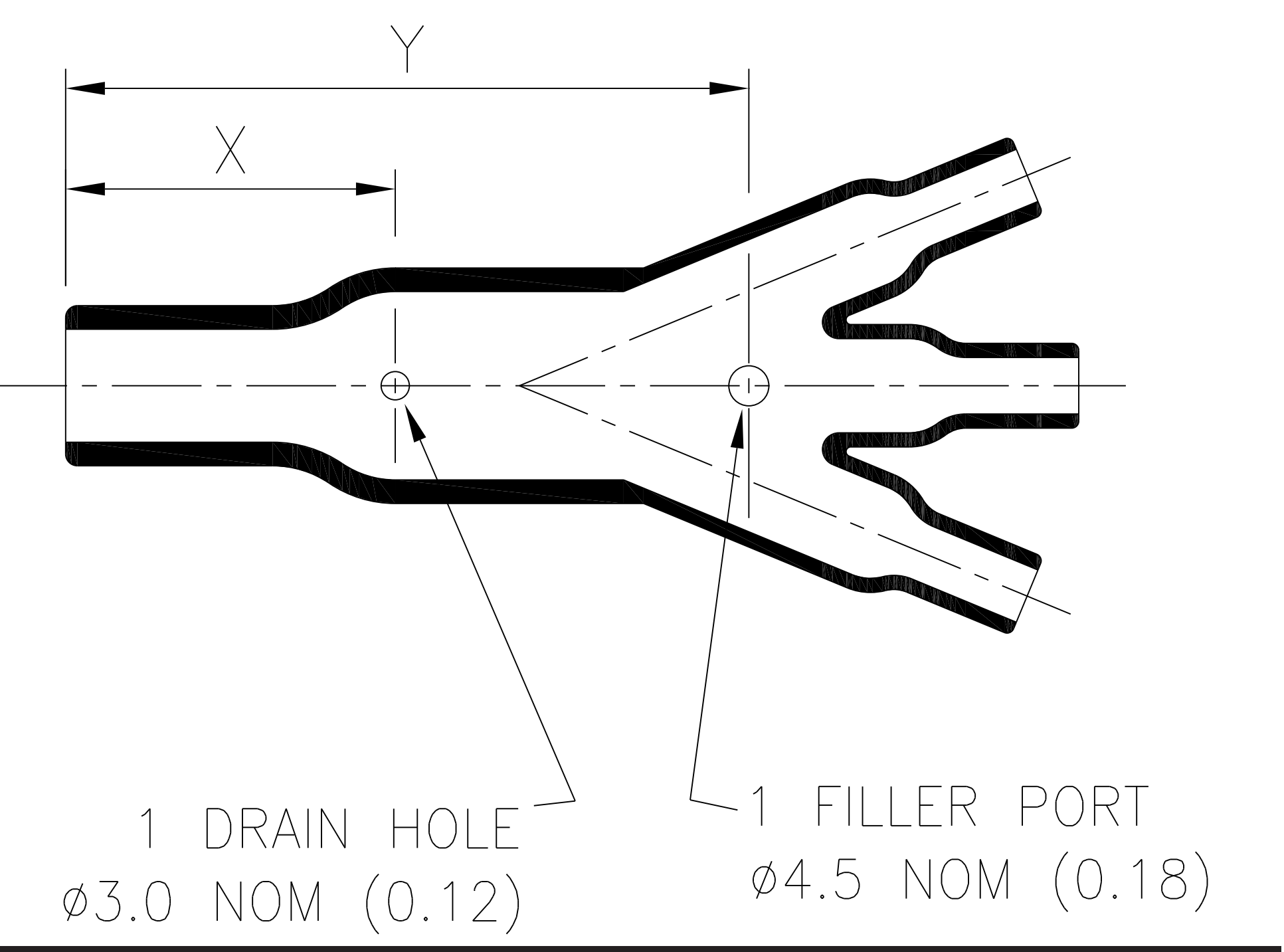
BS 8888

DO NOT SCALE
IF IN DOUBT ASK

Q.A.	H/S SETT
H/S Q.A.	REL. INSP.
H/S PROD	EXT. ISS. CODE 12



OPTION TO STANDARD PART
FILLER PORT (CODE P)



* VG REF FOR FINISHED GLUED PART

SPEC.	PART NO.	EXPANDED DIMENSIONS (AS SUPPLIED)			RECOVERED DIAMETERS		RECOVERED DIMENSIONS						
		h	ϕ_j, ϕ_l	ϕ_k	ϕ_H	ϕ_J, ϕ_K, ϕ_L	F	M	P	R	S	Hw	Jw, Kw, Lw
		MIN	MIN	MIN	MAX	MAX	±15%	MAX	±10%	±10%	±10%	±30%	±30%
VG 95343 T08D002A	304-1	27 (1.06)	13 (0.51)	13 (0.51)	13.5 (0.53)	7 (0.28)	56 (2.20)	19 (0.75)	93 (3.66)	43 (1.69)	50 (1.97)	2.5 (0.10)	1.5 (0.06)
-	304-2	27 (1.06)	18 (0.71)	18 (0.71)	13.5 (0.53)	7 (0.28)	56 (2.20)	19 (0.75)	93 (3.66)	43 (1.69)	50 (1.97)	2.5 (0.10)	1.5 (0.06)
* VG 95343 T19D007A	304-8	27 (1.06)	13.0 (0.51)	19.0 (0.75)	13.2 (0.52)	6.9 (0.27)	56 (2.20)	19 (0.75)	93 (3.66)	43 (1.69)	50 (1.97)	2.5 (0.10)	1.5 (0.06)
-	304-50	27 (1.06)	12.5 (0.49)	12.5 (0.49)	13.5 (0.53)	7 (0.28)	56 (2.20)	19 (0.75)	93 (3.66)	43 (1.69)	50 (1.97)	2.5 (0.10)	1.5 (0.06)

OPTIONAL FILLER PORT DETAIL			
SPEC.	PART NO.	RECOVERED DIMENSIONS	
		X	Y
		±10%	±10%
VG 95343 T08D002A	304-1	34 (1.34)	56 (2.20)
-	304-2	34 (1.34)	56 (2.20)
VG 95343 T19D007A	304-8	34 (1.34)	56 (2.20)
-	304-50	34 (1.34)	56 (2.20)

Heatshrinkable Moulded Shapes Bulbous Boots 3-Way Outlet HellermannTyton For information only, not subject to technical changes.

4	P1503	CM	28/04/15
3	P1498	GB	05/02/15
2	P1362	DJC	10/10/11
1	P1186	S.Almond	27/03/08
ISSUE	NOTE No.	DRAWN	DATE

HellermannTyton
William Prance Road,
Plymouth International Med. & Tech. Park,
Plymouth, PL6 5WR
Tel ++44 (0) 1752 701261
Fax ++44 (0) 1752 790058

NAME	S.Almond	SCALE	NTS	ADHESIVE	A3 ORIGINAL SHEET SIZE 420mm x 297mm	SHT. 1 OF 1 SHTS.
DATE	27/03/08	DIMS IN	mm (in)			
TITLE	3 WAY OUTLET SLEEVE		PART No.	304	DRAWING No. 152038	