

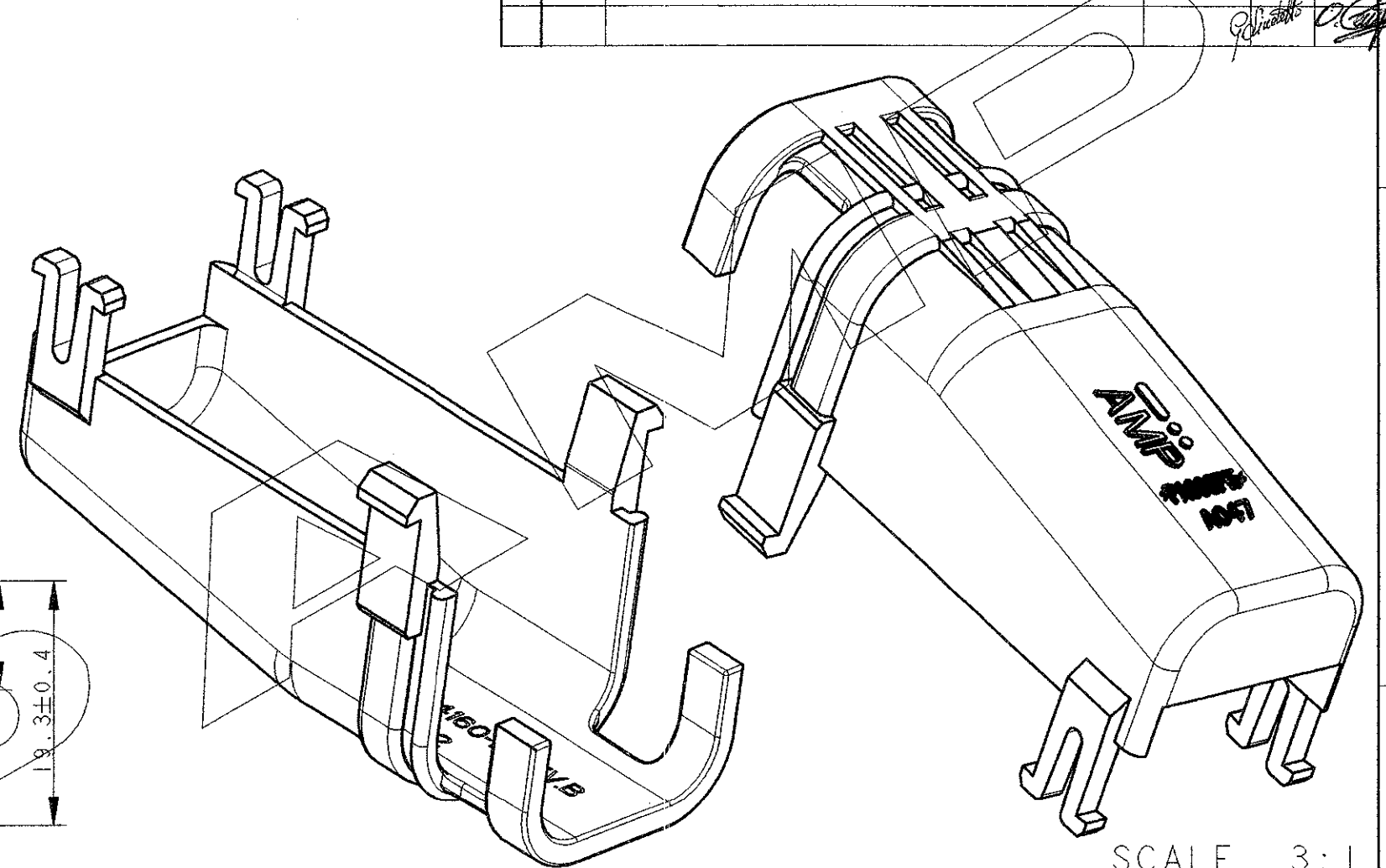
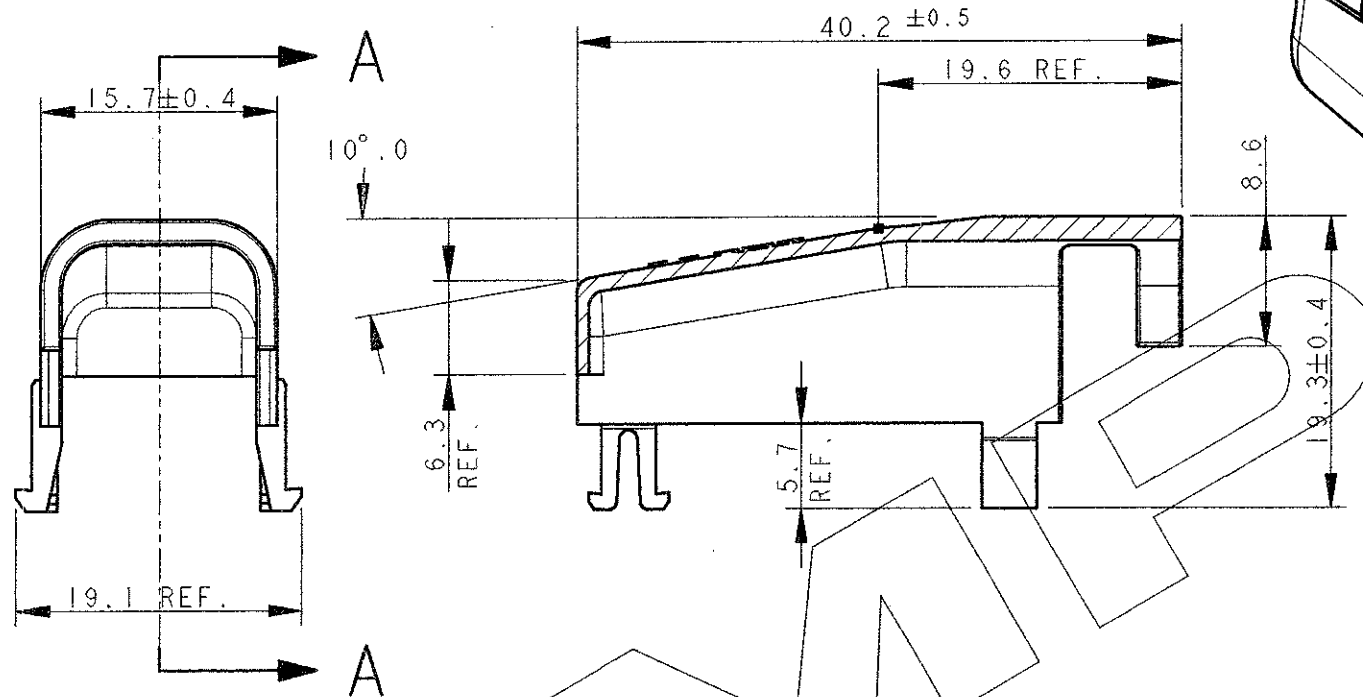
THIS DRAWING IS UNPUBLISHED.

RELEASED FOR PUBLICATION

© COPYRIGHT 19

BY AMP INCORPORATED. ALL RIGHTS RESERVED.

LOC	DIST	REVISIONS			
P	LTR	DESCRIPTION	DATE	DWN	APVD
	A	NOT EXISTING	-	-	-
	B	FIRST ISSUE EC ET00-0036-99	02 MAR 99	AM	OC
	BI	RELEASED FOR PRODUCTION ET00-0315-99	03 NOV 99	GS	OC



NOTE:

- 1. COVER IN PA 6.6 GF COLOR BLACK.
(COPERCHIO IN PA 6.6 GF COLORE NERO.)
- 2. COVER P/N 284160-1 SUITABLE TO P/N 284159-2.
(IL COPERCHIO P/N 284160-1 E' ADATTO PER MONTAGGIO SUL KIT P/N 284159-2.)

SECTION A-A
(SEZIONE A-A)

SCALE 3:1

SCALE 3:1

P/N 284160-1 AS SHOWN. (COME MOSTRATO)

THIS DRAWING IS A CONTROLLED DOCUMENT FOR AMP INCORPORATED. IT IS SUBJECT TO CHANGE AND THE CONTROLLING ENGINEERING ORGANIZATION SHOULD BE CONTACTED FOR THE LATEST REVISION.		DWN A. MARANGON 29 JAN 99	AMP Italia C.so F.lli Cervi 15, Collegno	
DIMENSIONS: mm		CHK O. CANUTO	NAME COVER FOR 12 POS. 070/JPT CONNECTOR	
TOLERANCES UNLESS OTHERWISE SPECIFIED: 0 PLC ± 1 PLC ±0.3 2 PLC ± 3 PLC ± 4 PLC ± ANGLES ±		APVD A. GENTA	PRODUCT SPEC 108-20198	
MATERIAL		APPLICATION SPEC -	SIZE A3	CAGE CODE 00779
FINISH -		WEIGHT -	DRAWING NO ©=284160	RESTRICTED TO -
CUSTOMER DRAWING		SCALE 2:1		SHEET 1 OF 1
				REV BI

Mouser Electronics

Authorized Distributor

Click to View Pricing, Inventory, Delivery & Lifecycle Information:

[TE Connectivity:](#)

[284160-1](#)