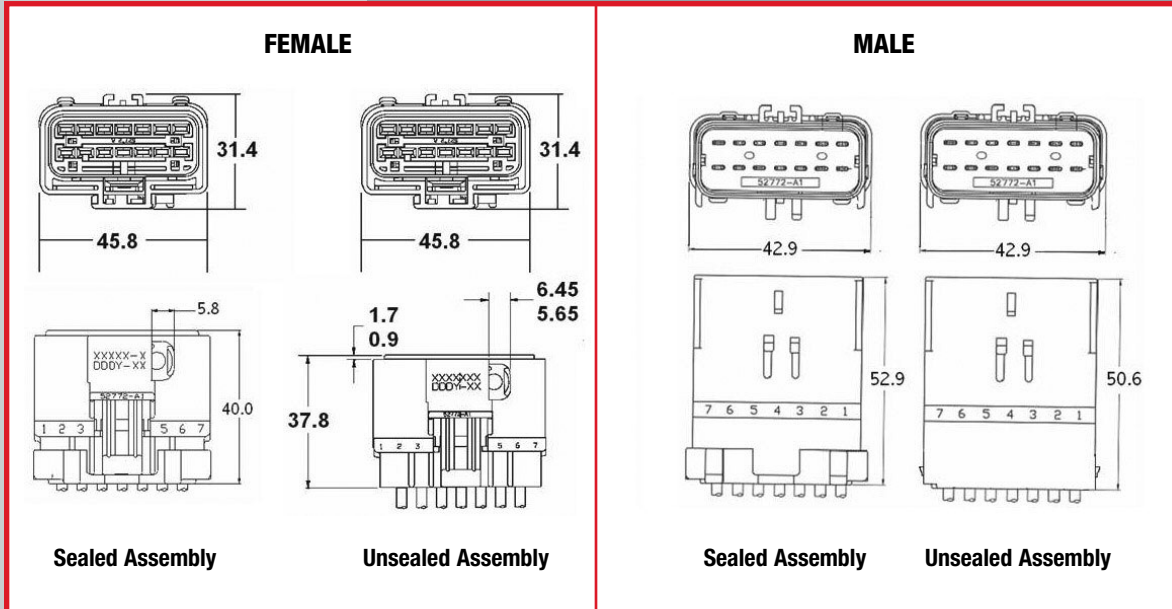




FCI 14-Way APEX 2.8 mm Connection System



| INDEX TYPE | HOUSING COLOR | SEALED/ UNSEALED | FEMALE ASSEMBLY PART NUMBER | MALE ASSEMBLY PART NUMBER | TEMPERATURE RATING OF MATERIAL | WIRE INSULATION RANGE PER CAVITY (mm) |
|------------|---------------|------------------|-----------------------------|---------------------------|--------------------------------|---------------------------------------|
| A | BLACK | SEALED | 54201411 | 54201415 | -40°C to +125°C | 1.70 – 3.35 |
| A | BLACK | UNSEALED | 54201442 | 54201404 | -40°C to +125°C | 1.50 – 4.09 |
| B | LT GREY | SEALED | 54201412 | 54201416 | -40°C to +125°C | 1.70 – 3.35 |
| B | LT GREY | UNSEALED | 54201453 | 54201405 | -40°C to +125°C | 1.50 – 4.09 |
| C | DK GRAY | SEALED | 54201413 | 54201417 | -40°C to +125°C | 1.70 – 3.35 |
| D | NATURAL | SEALED | 54201414 | 54201418 | -40°C to +125°C | 1.70 – 3.35 |
| A | BLACK | SEALED | 54201445N | — | SEAL W/NO HOLES | USED AS CAP |
| A | BLACK | SEALED | — | 54201459 | SEAL W/NO HOLES | USED AS CAP |
| B | LT GREY | SEALED | — | 54201462 | SEAL W/NO HOLES | USED AS CAP |
| B | DK GREY | SEALED | — | 54201463 | SEAL W/NO HOLES | USED AS CAP |
| C | NATURAL | SEALED | — | 54201464 | SEAL W/NO HOLES | USED AS CAP |

Note: Female part numbers with the N suffix are without CPA latch.

Mouser Electronics

Authorized Distributor

Click to View Pricing, Inventory, Delivery & Lifecycle Information:

[Aptiv:](#)

[54201412](#) [54201415](#) [54201416](#) [54201459](#) [54201462](#) [54201463](#) [54201412N](#) [54201413N](#) [54201442](#) [54201453](#)
[54201415-B](#) [54201416-B](#) [54201414-B](#) [54201414](#) [54201412-B](#) [54201412N-B](#) [54201413N-B](#) [54201453-B](#)
[54201459-B](#)