



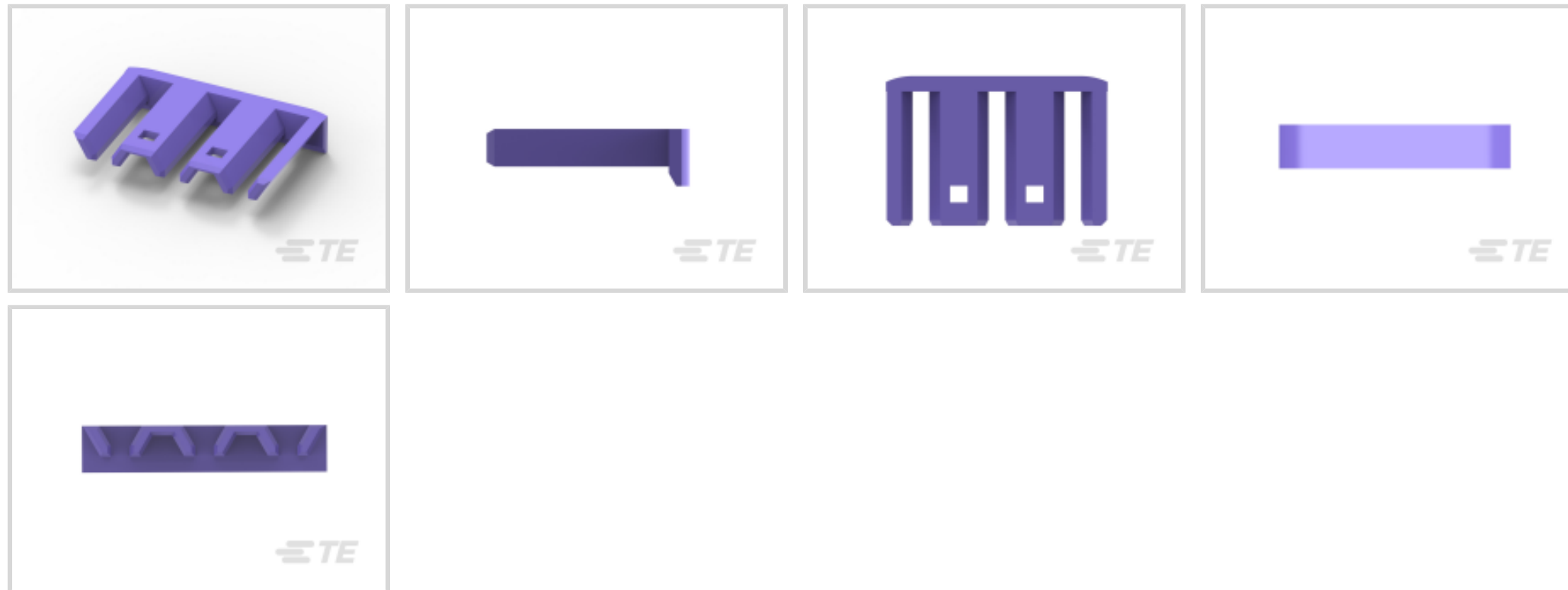
AMP | MQS

TE Internal #: 1-1355135-1

Automotive Connector Locks & Position Assurance, TPA (Terminal Position Assurance), Violet, PA GF, -40 – 120 °C [-40 – 248 °F], MQS

[View on TE.com >](#)

Connectors > Automotive Connectors > Automotive Connector Accessories > Automotive Connector Locks & Position Assurance



Connector & Contact Retention Accessory Type: **TPA (Terminal Position Assurance)**

Primary Product Color: **Violet**

Primary Product Material: **PA GF**

Sealable: **No**

Operating Temperature Range: **-40 – 120 °C [-40 – 248 °F]**

## Features

### Product Type Features

Connector & Contact Retention Accessory Type	TPA (Terminal Position Assurance)
Sealable	No

### Body Features

Primary Product Color	Violet
Primary Product Material	PA GF

### Usage Conditions

Operating Temperature Range	-40 – 120 °C[-40 – 248 °F]
-----------------------------	----------------------------

### Industry Standards

UL Flammability Rating	UL 94V-0
------------------------	----------

### Packaging Features

Packaging Method	Carton
------------------	--------

### Other

Serviceable	Yes
-------------	-----

## Product Compliance

[For compliance documentation, visit the product page on TE.com>](#)

EU RoHS Directive 2011/65/EU	Compliant
EU ELV Directive 2000/53/EC	Compliant
China RoHS 2 Directive MIIT Order No 32, 2016	No Restricted Materials Above Threshold
EU REACH Regulation (EC) No. 1907/2006	Current ECHA Candidate List: JUNE 2023 (235) Candidate List Declared Against: JUNE 2023 (235) Does not contain REACH SVHC
Halogen Content	BFR/CFR/PVC Free, but Br/Cl >900 ppm in other sources.
Solder Process Capability	Not applicable for solder process capability

### Product Compliance Disclaimer

This information is provided based on reasonable inquiry of our suppliers and represents our current actual knowledge based on the information they provided. This information is subject to change. The part numbers that TE has identified as EU RoHS compliant have a maximum concentration of 0.1% by weight in homogenous materials for lead, hexavalent chromium, mercury, PBB, PBDE, DBP, BBP, DEHP, DIBP, and 0.01% for cadmium, or qualify for an exemption to these limits as defined in the Annexes of Directive 2011/65/EU (RoHS2). Finished electrical and electronic equipment products will be CE marked as required by Directive 2011/65/EU. Components may not be CE marked. Additionally, the part numbers that TE has identified as EU ELV compliant have a maximum concentration of 0.1% by weight in homogenous materials for lead, hexavalent chromium, and mercury, and 0.01% for cadmium, or qualify for an exemption to these limits as defined in the Annexes of Directive 2000/53/EC (ELV). Regarding the REACH Regulation, the information TE provides on SVHC in articles for this part number is based on the latest European Chemicals Agency (ECHA) 'Guidance on requirements for substances in articles' posted at this URL: <https://echa.europa.eu/guidance-documents/guidance-on-reach>

## Compatible Parts



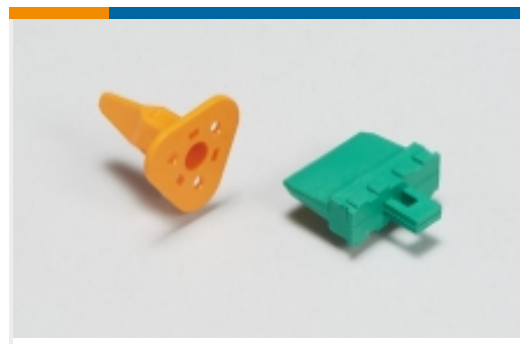
Also in the Series | **MQS**



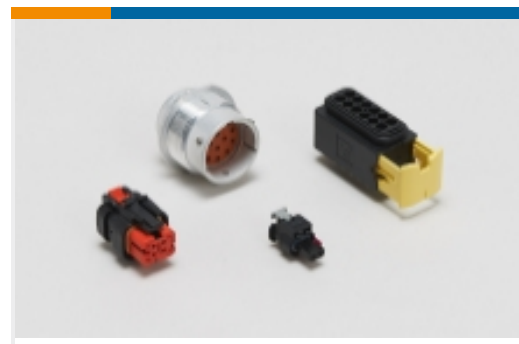
Automotive Connector Caps & Covers (111)



Automotive Connector EMC Shielding (3)



Automotive Connector Locks & Position Assurance(27)



Automotive Housings(375)



Automotive Terminals(89)



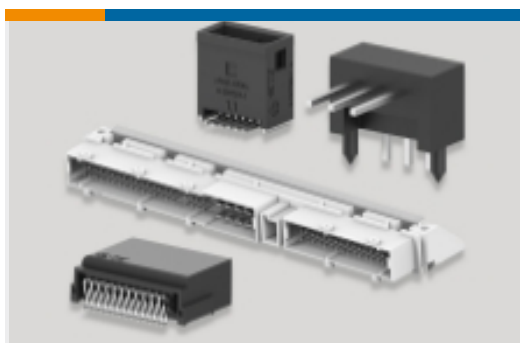
Connector Seals & Cavity Plugs(26)



Insertion & Extraction Tools(42)



Other Automotive Connector Accessories(7)



PCB Headers & Receptacles(143)

## Customers Also Bought



TE Part #172059-1  
MALE HSG DRAWER



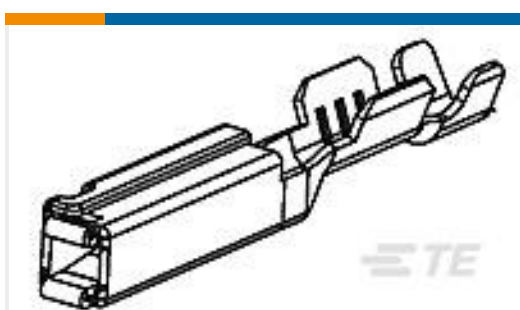
TE Part #5-1879353-1  
RR02 5% 510K AMMO



TE Part #927836-2  
SPT REC 6.3 Contact SWS Sn



TE Part #1241396-1  
AMP MCP, RECEPTACLE AND TAB



TE Part #1393364-2  
V23540X7000Y 12=GET FEM TERM A



TE Part #1823467-8  
6POS,AMP MCP1.5K,REC HSG,CODH



TE Part #1473288-1  
MICRO TIMER II 6POS SECONDARY



TE Part #1897422-1  
SEALING PLUG CONTACT DUMMY (1.5mm)



## Documents

### Product Drawings

[RETAINER 94P](#)

English

[RETAINER 94P](#)

English

### CAD Files

[3D PDF](#)

3D

Customer View Model

[ENG\\_CVM\\_CVM\\_1-1355135-1\\_A.2d\\_dxf.zip](#)

English

Customer View Model

[ENG\\_CVM\\_CVM\\_1-1355135-1\\_A.3d\\_igs.zip](#)

English

Customer View Model

[ENG\\_CVM\\_CVM\\_1-1355135-1\\_A.3d\\_stp.zip](#)

English

By downloading the CAD file I accept and agree to the [Terms and Conditions](#) of use.

### Product Specifications

[Product Specification](#)

English

[Modular Jack, Single or Dual Port, Surface Mount or Thru-Hole, Economy](#)

English