

1-967621-3 ✓ ACTIVE

AMP | Junior Power Timer

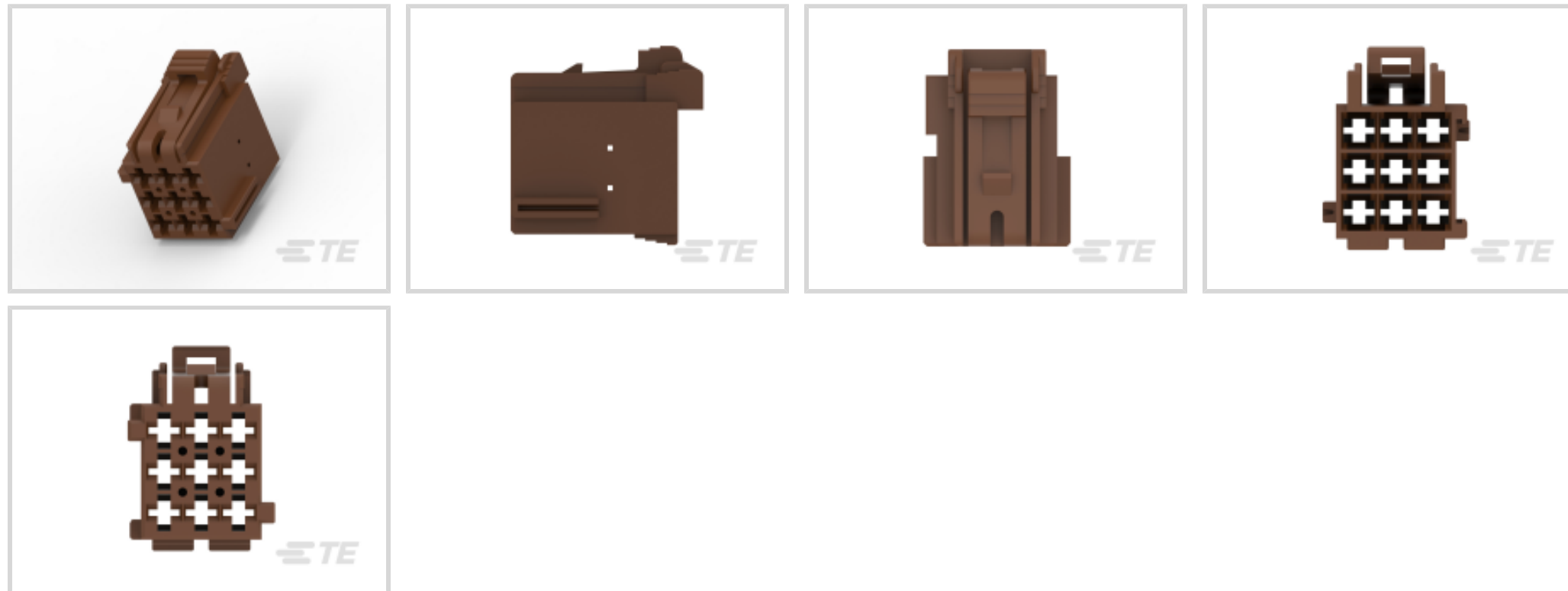
TE Internal #: 1-967621-3

Housing for Female Terminals, Wire-to-Wire, 9 Position, .196 in [5 mm] Centerline, Brown, Wire & Cable, Power, Junior Power Timer

[View on TE.com >](#)



Connectors > Automotive Connectors > Automotive Housings > Timer Connector Housing



Connector System: **Wire-to-Wire**

Number of Positions: **9**

Connector & Housing Type: **Housing for Female Terminals**

Centerline (Pitch): **5 mm [ .196 in ]**

Sealable: **No**

[All Timer Connector Housing \(525\)](#)

## Features

### Product Type Features

Mixed & Hybrid Connector	No
Connector Shape	Rectangular
Connector System	Wire-to-Wire
Connector & Housing Type	Housing for Female Terminals
Sealable	No
Connector & Contact Terminates To	Wire & Cable
Primary Locking Feature	Integrated in Housing

### Configuration Features

Number of Positions	9
Number of Rows	3

### Electrical Characteristics

Nominal Voltage Architecture	28 V
------------------------------	------

### Body Features



Cable Exit Angle	180°
Primary Product Color	Brown
Connector & Keying Code	A

#### Contact Features

Contact Size	2.8mm
Contact Type	Receptacle
Mating Tab Width	2.8 mm[.11 in]

#### Mechanical Attachment

Terminal Position Assurance	No
Strain Relief	Without
Mating Alignment Type	Keyed
Mating Alignment	With
Connector Mounting Type	Cable Mount (Free-Hanging)

#### Housing Features

Housing Material	PBT GF
Centerline (Pitch)	5 mm[.196 in]

#### Dimensions

Connector Height	26.1 mm[1.02 in]
Product Width	26.5 mm[1.04 in]
Product Length	16.2 mm[.637 in]
Row-to-Row Spacing	5.5 mm[.216 in]

#### Operation/Application

Circuit Application	Power
---------------------	-------

#### Packaging Features

Packaging Quantity	1200
Packaging Method	Carton

#### Other

Serviceable	No
Connector Position Assurance Capable	No

#### Product Compliance

[For compliance documentation, visit the product page on TE.com>](#)

EU RoHS Directive 2011/65/EU	Compliant
EU ELV Directive 2000/53/EC	Compliant
China RoHS 2 Directive MIIT Order No 32, 2016	No Restricted Materials Above Threshold
EU REACH Regulation (EC) No. 1907/2006	Current ECHA Candidate List: JUNE 2023 (235) Candidate List Declared Against: JUNE 2023 (235) Does not contain REACH SVHC
Halogen Content	Low Halogen - Br, Cl, F, I < 900 ppm per homogenous material. Also BFR/CFR/PVC Free
Solder Process Capability	Not applicable for solder process capability

## Product Compliance Disclaimer

This information is provided based on reasonable inquiry of our suppliers and represents our current actual knowledge based on the information they provided. This information is subject to change. The part numbers that TE has identified as EU RoHS compliant have a maximum concentration of 0.1% by weight in homogenous materials for lead, hexavalent chromium, mercury, PBB, PBDE, DBP, BBP, DEHP, DIBP, and 0.01% for cadmium, or qualify for an exemption to these limits as defined in the Annexes of Directive 2011/65/EU (RoHS2). Finished electrical and electronic equipment products will be CE marked as required by Directive 2011/65/EU. Components may not be CE marked. Additionally, the part numbers that TE has identified as EU ELV compliant have a maximum concentration of 0.1% by weight in homogenous materials for lead, hexavalent chromium, and mercury, and 0.01% for cadmium, or qualify for an exemption to these limits as defined in the Annexes of Directive 2000/53/EC (ELV). Regarding the REACH Regulation, the information TE provides on SVHC in articles for this part number is based on the latest European Chemicals Agency (ECHA) 'Guidance on requirements for substances in articles' posted at this URL: <https://echa.europa.eu/guidance-documents/guidance-on-reach>

## Compatible Parts

 <p>TE Part # CAT-M4599-H342 AMP MCP Unsealed Headers</p>	 <p>TE Part # 967631-1 2. KONT-SICHERUNG 9P</p>	 <p>TE Part # CAT-LMPH9507 Low &amp; Medium Power Header</p>	 <p>TE Part # 1-967626-1 TAB HOUSING, 2,8MM,9POS.</p>
 <p>TE Part # CAT-T4827-T273 TIMER, RECEPTACLE AND TAB</p>	<p>TE Part # 1719810-1 JPT REC 2.8 Contact SRC Sn</p>	<p>TE Part # 1-927768-1 JPT REC 2.8 Contact SRC Au</p>	

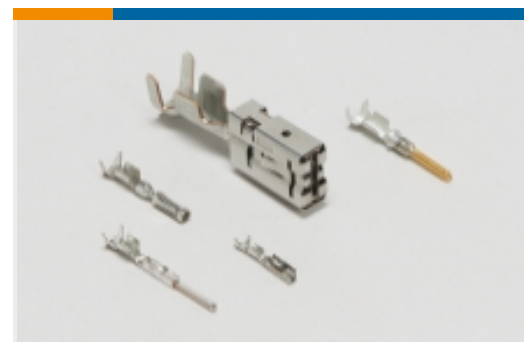
## Also in the Series | Junior Power Timer



Automotive Connector Caps & Covers (4)



Automotive Housings(231)



Automotive Terminals(82)



Busbars & Terminals(1)



Connector Seals & Cavity Plugs(9)



Insertion & Extraction Tools(8)

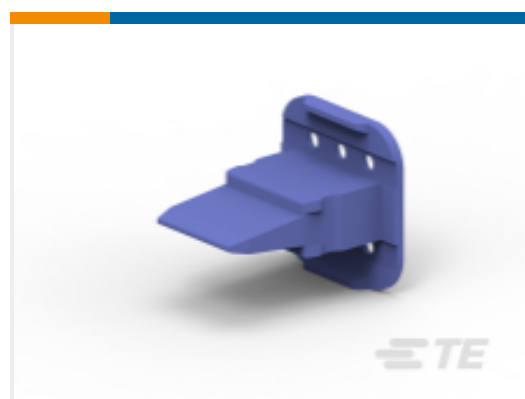


Module Components(3)



Other Automotive Connector Accessories(1)

## Customers Also Bought



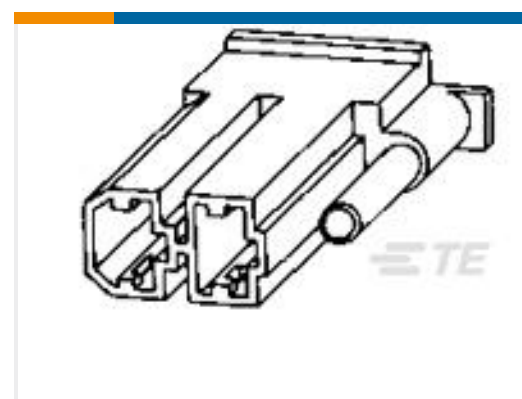
TE Part #W6S2-P012  
WEDGE LOCK



TE Part #1-965640-3  
Timer Connector Housing



TE Part #DRC18-40SC  
PLG, 40P, BLK, N, C



TE Part #171447-3  
FF 375 PLUG HSG 2P NYLON BROWN



TE Part #280311  
IS 375 FASTON NYLON



TE Part #1-967630-3  
FLACHSTE-GEH2,8 21P

## Documents

### Product Drawings

[JUN-POW-TIM GEH 9P](#)

English

### CAD Files

Customer View Model

[ENG\\_CVM\\_1-967621-3\\_D.3d\\_igs.zip](#)

English

Customer View Model



[ENG\\_CVM\\_1-967621-3\\_D.3d\\_stp.zip](#)

English

**Customer View Model**

[ENG\\_CVM\\_1-967621-3\\_D.2d\\_dxf.zip](#)

English

**3D PDF**

English

By downloading the CAD file I accept and agree to the [Terms and Conditions](#) of use.

---

## Datasheets & Catalog Pages

**Timer Interconnection System**

English

---

## Product Specifications

**Product Specification**

English

**Product Specification**

English